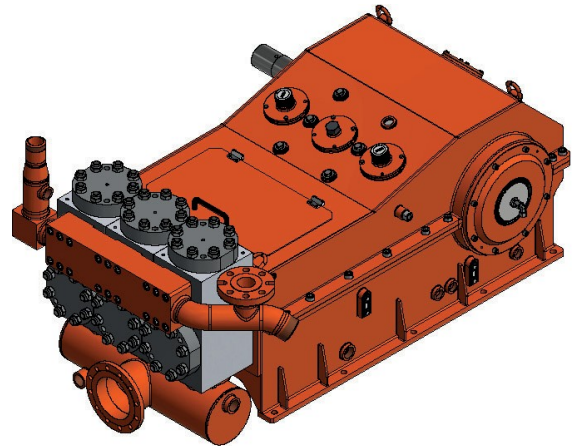
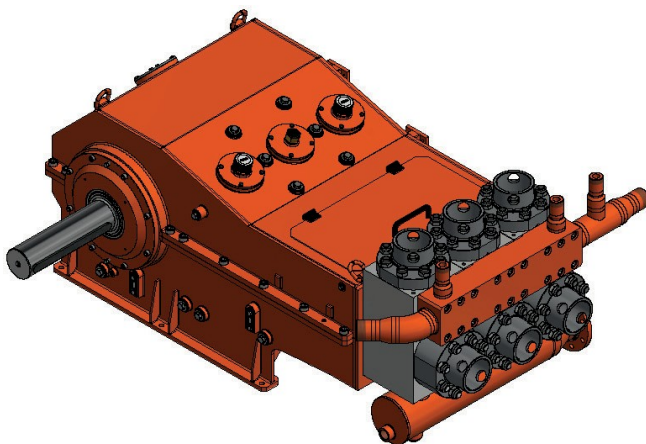


Series MPC – Compact Mud Pumps

Our compact mud pumps for HDD purposes are of well proven design, high quality and reliability. They are operating on many construction sites around the world.



Pump Model	Max Drive Power	Max Piston Force	Stroke	Piston Size	Max Flow Rate	Max Pressure
MPC5560	400 kW	160 kN	150 mm	2.5" - 5.5"	1.960 l/min	150 bar
MPC6070	575 kW	200 kN	180 mm	3.0" - 6.0"	2.700 l/min	150 bar
MPC7080	575 kW	225 kN	210 mm	4.0" - 7.0"	3.600 l/min	150 bar



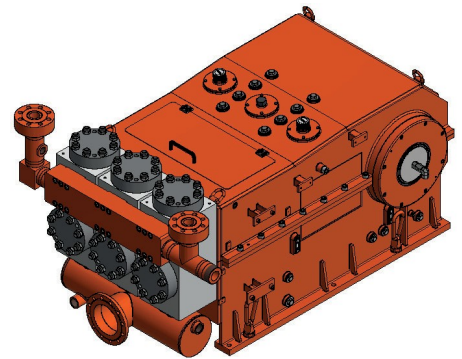
Series MP - Heavy Duty Mud Pumps

Proven German design and high precision manufacturing. Heavy duty pumps for drilling fluid up to 530 bar. The benchmark for European quality and durability.

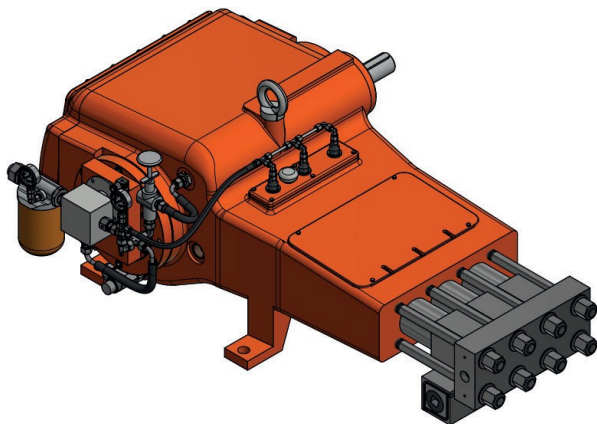
Pump Model	Max Drive Power	Max Piston Force	Stroke	Piston Size	Max Flow Rate	Max Pressure
MP5560	400 kW	160 kN	150 mm	2.5" - 5.5"	1.960 l/min	350 bar
MP6070	575 kW	200 kN	180 mm	3.0" - 6.0"	2.700 l/min	350 bar
MP6580	800 kW	350 kN	210 mm	3.5" - 6.5"	2.425 l/min	350/ 530 bar
MP75120	1200 kW	550 kN	305 mm	4.5" - 7.5"	3.400 l/min	350/ 530 bar

Well Service & Multi Purpose Pumps

Our recent additions for the Oil & Gas sector. These pumps are another testimony to our product philosophy: high precision & quality = reliability.



Pump Model	Max Drive Power	Max Piston Force	Stroke	Piston Size	Max Flow Rate	Max Pressure
WSP600HP	522 kW	450 kN	150 mm	2.5" - 5.0"	1.965 l/min	1.400 bar
MPP80	1.200 kW	80 kN	adaptable	3.5" - 6.5"	3.490 l/min	530/ 1.290 bar



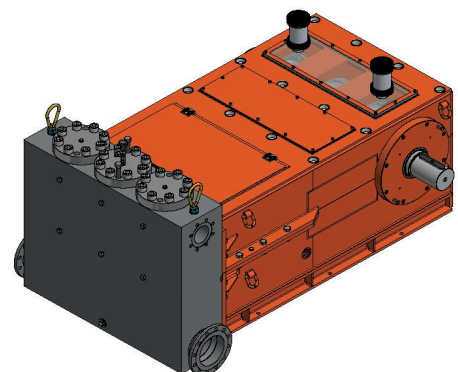
Series HPP – High Pressure Pumps

Designed for industrial cleaning and other relative applications. With the exchangeability fluid ends it is very versatile and has a unique maintainability, no more than hand tools are needed.

Pump Model	Max Drive Power	Max Piston Force	Stroke	Piston Size	Max Flow Rate	Max Pressure
HPP180/3	132 kW	53 kN	98 mm	20 mm - 65 mm	430 l/min	1.500 bar
HPP330/4	245 kW	80 kN	98 mm	24 mm - 65 mm	430 l/min	1.500 bar
HPP550/4	404 kW	141 kN	119 mm	30 mm - 90 mm	690 l/min	1.500 bar

Series SP – Slurry Pumps

The SP series has a long tradition and is derived from a very successful line of slurry pumps, which proves its ruggedness and reliability since decades, worldwide.



Pump Model	Max Drive Power	Max Piston Force	Stroke	Piston Size	Max Flow Rate	Max Pressure
SP57	500 kW	91 kN	140 mm	40 - 120 mm	1.470 l/min	500 bar
SP106	500 kW	169 kN	180 mm	50 - 160 mm	2.500 l/min	500 bar
SP125	500 kW	200 kN	180 mm	56 - 180 mm	3.215 l/min	500 bar